



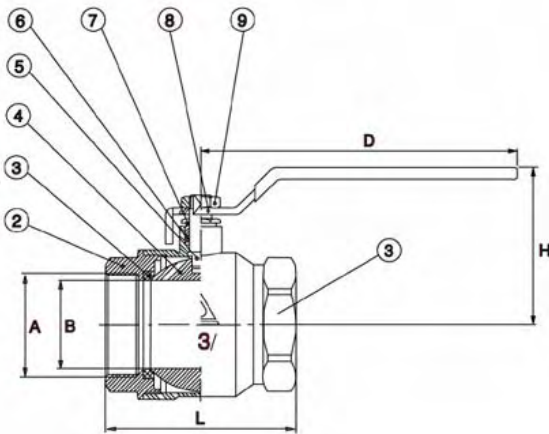
JUSHUI

ISO9001 ISO14001



ART. - 1201

**MS58 BRASS BALL VALVE
FORGING OR CASTING BRASS BODY
STEEL HANDLE WITH PLASTIC SLEEVE
TEMPERATURE: -10 - +120°C
PRESSURE: 16 BAR
APPLICATION: WATER**



No.	Name	Material	Treatment
1	Body	Brass MS58	Nickel plated
2	Bonnet	Brass MS58	Nickel plated
3	Seat	PTFE	
4	Ball	Brass MS58	Chrome plated
5	Stem	Brass MS58	
6	Gasket	PTFE	
7	Press nut	Brass MS58	
8	Handle	STEEL	Chrome plated
9	Head Part	Brass MS58	Nickel plated

A	L	D	H	B
1/2	42	96	50	13
3/4	48	96	52	17
1	60	111	57	23
1 1/4	71	132	65	30
1 1/2	78	132	70	37
2	93	161	86	45
2 1/2	124	226	109	57
3	144	226	117	68
4	166	226	130	85

	mm	Kv
3/8	10	15
1/2	14	17
3/4	18,5	35
1	23	49
1 1/4	29	86
1 1/2	37	151
2	47	230
2 1/2	64	450
3	75	700
4	97	1100

