

Art.: 3081

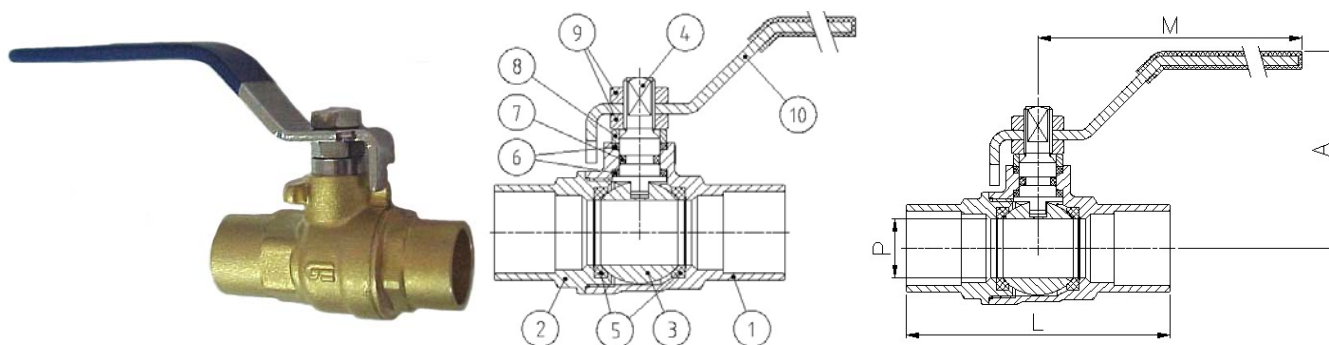
Válvula de esfera soldar Cu, H-H. Paso total Cu Welded ends brass ball valve, F-F. Full bore

Características

1. Válvula esfera soldar, PN-16, paso total
2. Construcción en latón según DIN 17660
3. Extremos para soldar hembra-hembra
4. Accionamiento mediante palanca
5. Temperatura máxima 180 °C

Features

1. Weld end ball valve, PN-16, full bore
2. Brass according to DIN 17660
3. Welded ends female-female
4. Working by means of handle
5. Max. Temperature 180 °C



| Nº | Denominación/Name | Material | Acabado Superficial/Surface Treatment |
|----|---------------------------|---------------|---------------------------------------|
| 1 | Cuerpo / Body | Latón / Brass | Granallado / Peened |
| 2 | Tapa / Cap | Latón / Brass | Granallado / Peened |
| 3 | Esfera / Ball | Latón / Brass | Cromado / Chromed |
| 4 | Eje / Stem | Latón / Brass | Cromado / Chromed |
| 5 | Asientos / Ball seats | PTFE | - |
| 6 | A.prensa/Stem packing | PTFE | - |
| 7 | Tórica / O-Ring | N.B.R. | - |
| 8 | Anillo prensa / Stem ring | Latón / Brass | Cromado / Chromed |
| 9 | Tuerca / Nut | Latón / Brass | Cromado / Chromed |
| 10 | Maneta / Handle | Acero / Steel | Cromado / Chromed |

| Ref | Medida/Size | PN | Dimensiones/Dimensions (mm) | | | | Peso/Weight (g) |
|---------|-------------|----|-----------------------------|----|-----|-----|-----------------|
| | | | P | A | L | M | |
| 3081 15 | Ø 15 | 16 | 12 | 46 | 57 | 84 | 135 |
| 3081 18 | Ø 18 | 16 | 15 | 47 | 64 | 84 | 160 |
| 3081 22 | Ø 22 | 16 | 20 | 58 | 72 | 98 | 260 |
| 3081 28 | Ø 28 | 16 | 25 | 61 | 85 | 98 | 375 |
| 3081 35 | Ø 35 | 16 | 32 | 75 | 96 | 135 | 825 |
| 3081 42 | Ø 42 | 16 | 40 | 80 | 115 | 135 | 1170 |
| 3081 54 | Ø 54 | 16 | 50 | 90 | 140 | 165 | 1850 |