

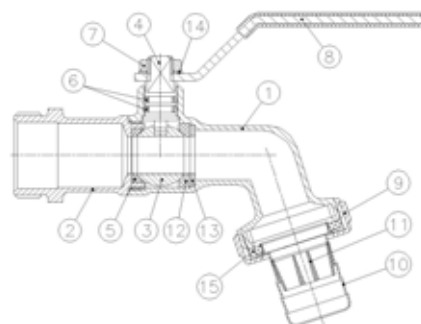
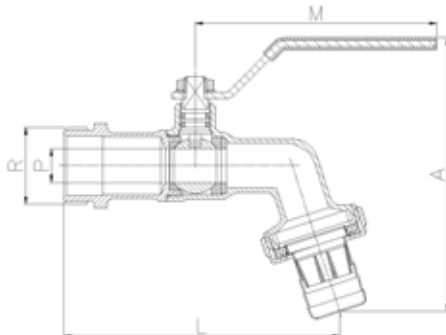
## Art.: 3059 Válvula grifo para manguera Bibcock valve

### Características

1. Válvula de esfera PN -16.
2. Construcción en latón s/ UNE-EN 12165.
3. Entrada rosca gas BSP macho s/ ISO 228.
4. Salida racor dos piezas para manguera con difusor.
5. Accionamiento mediante palanca de acero.
6. Eje no eyectable.
7. Temperatura máxima de trabajo 100°C.

### Features

1. Ball valve PN -16.
2. Brass construction under UNE-EN 12165.
3. BSP gas threaded male inlet as ISO 228.
4. Two pieces hose connection outlet with diffuser.
5. Working by means of steel lever handle.
6. Non ejectable stem.
7. Max. working temperature 100°C.



| Nº | Denominación / Name          | Material               | Acabado Superficial / Surface Treatment |
|----|------------------------------|------------------------|---|
| 1  | Cuerpo / Body                | Latón / Brass (CW617N) | Granallado+Cromado / Peened+Chromed     |
| 2  | Tapa / Cap                   | Latón / Brass (CW617N) | Granallado+Cromado / Peened+Chromed     |
| 3  | Esfera / Ball                | Latón / Brass (CW617N) | Cromado / Chromed                       |
| 4  | Eje / Stem                   | Latón / Brass (CW617N) | Cromado / Chromed                       |
| 5  | Asiento / Ball seat          | PTFE                   | -                                       |
| 6  | Junta tórica / O-ring        | NBR                    | -                                       |
| 7  | Tuerca / Nut                 | Latón / Brass          | Cromado / Chromed                       |
| 8  | Accionamiento / Lever Handle | Acero / Steel          | Cromado / Chromed                       |
| 9  | Tuerca / Nut                 | Latón / Brass (CW617N) | Granallado+Cromado / Peened+Chromed     |
| 10 | Conexión / Hose Connection   | Latón / Brass          | Cromado / Chromed                       |
| 11 | Difusor / Diffuser           | Nylon                  | -                                       |
| 12 | Asiento / Ball seat          | PTFE                   | -                                       |
| 13 | Anillo asiento / Seat ring   | Latón / Brass          | -                                       |
| 14 | Arandela / Grower Washer     | Acero / Steel          | Galvanizado / Galvanized                |
| 15 | Junta / Joint                | NBR                    | -                                       |

| Ref.    | Medida / Size<br>R | PN | Dimensiones / Dimensions (mm) |     |     |    | Peso / Weight (g) |
|---------|--------------------|----|-------------------------------|-----|-----|----|-------------------|
|         |                    |    | P                             | A   | L   | M  |                   |
| 3059 04 | 1/2"               | 16 | 10                            | 88  | 85  | 84 | 155               |
| 3059 05 | 3/4"               | 16 | 12                            | 95  | 95  | 84 | 210               |
| 3059 06 | 1"                 | 16 | 15                            | 112 | 119 | 98 | 325               |