



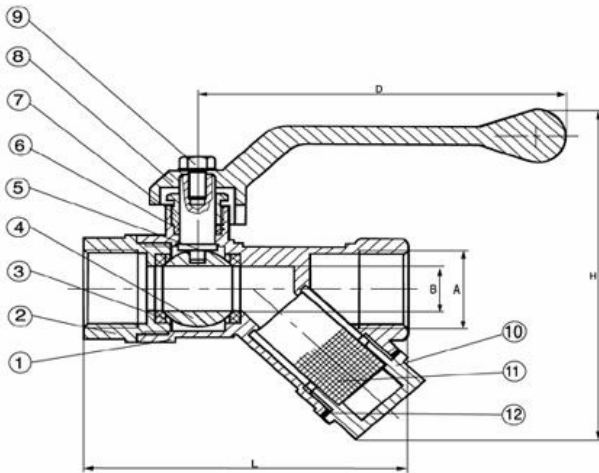
JUSHUI

ISO9001 ISO14001

ART. - 1120



**MS58 BRASS BALL VALVE WITH FILTER
 FORGING OR CASTING BRASS BODY
 STAINLESS STEEL STRAINER
 STEEL HANDLE
 TEMPERATURE: -10 - +100°C
 PRESSURE: 16 BAR
 APPLICATION: WATER**



No.	Name	Material	Treatment
1	Body	Brass MS58	Nickel plated
2	Bonnet	Brass MS58	Nickel plated
3	Ball	Brass MS58	Chrome plated
4	Seat	PTFE	
5	Stem	Brass MS58	
6	Gasket	PTFE	
7	Nut	Brass MS58	
8	Press nut	Aluminium	Painted
9	Handle	IRON	Nickel plated
10	Nut	Brass Ms58	Polished
11	Filter	AISI 304	
12	Washer	PTFE	

A	L	D	H	B
1/2	47	101	40	14
3/4	53	101	43	18,5
1	65	112	56	23

