



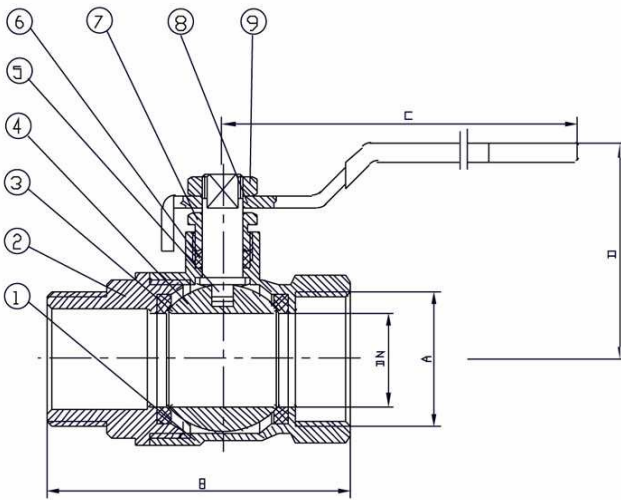
**JUSHUI**

**ISO9001 ISO14001**



**ART. - 1104**

**MS 58 BRASS BALL VALVE**  
**FORGING OR CASTING BRASS BODY**  
**STEEL HANDLE WITH PLASTIC SLEEVE**  
**TEMPERATURE: -10 - +150°C**  
**PRESSURE: 25 BAR**  
**APPLICATION: WATER**



No.	Name	Material	Treatment
1	Body	Brass MS58	Nickel plated
2	Bonnet	Brass MS58	Nickel plated
3	Seat	PTFE	
4	Ball	Brass MS58	Chrome plated
5	Stem	Brass MS58	
6	Gasket	PTFE	
7	Press nut	Brass MS58	
8	Handle	STEEL	Chrome plated
9	Head Part	Brass MS58	Nickel plated

A	B	C	D	DN
1/2	54	89	42	14
3/4	60,3	89	45	18,5
1	73,5	110	53	23
1 1/4	81,8	130,5	62,3	29
1 1/2	90,4	130,5	65,5	37
2	106,5	159,5	79	47

	mm	Kv
3/8	10	15
1/2	14	17
3/4	18,5	35
1	23	49
1 1/4	29	86
1 1/2	37	151
2	47	230

